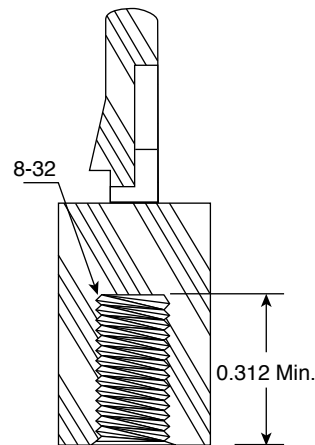
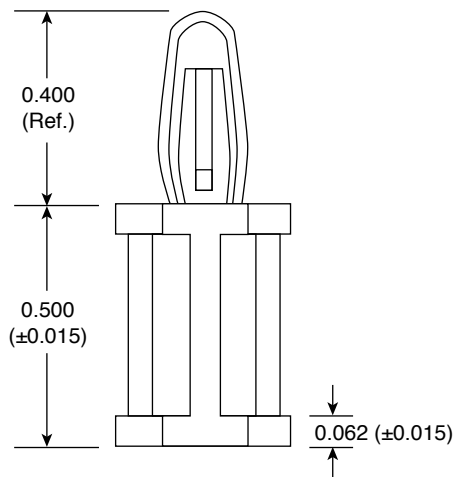
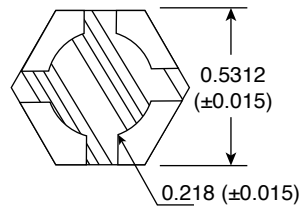


DIMENSIONS: in.

Hole Size - 0.156
Panel Thickness - 0.062



RoHS Compliant